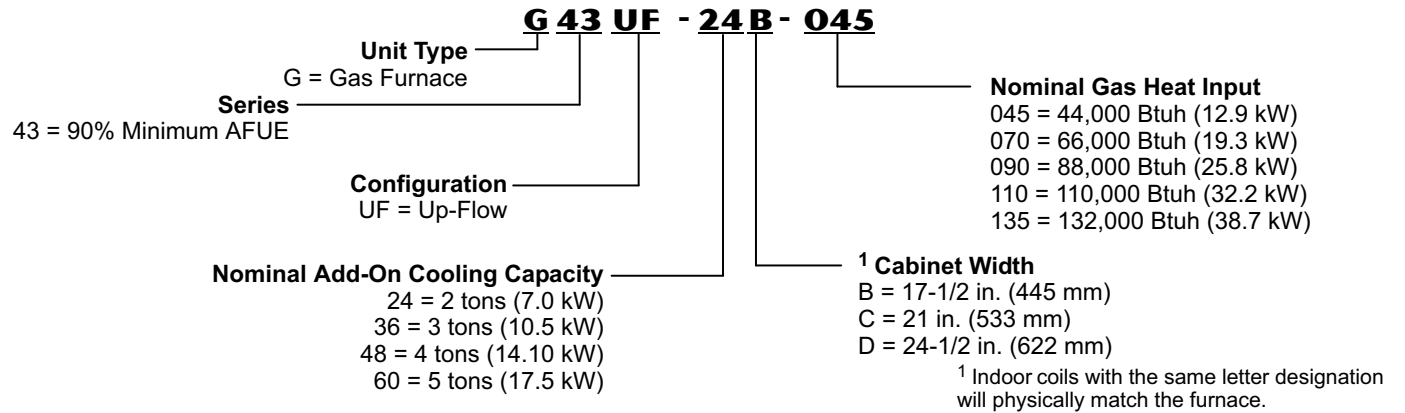




**AFUE - up to 92.1%**  
**Input - 44,000 to 132,000 Btuh**  
**Nominal Add-on Cooling - 2 to 5 Tons**

**MODEL NUMBER IDENTIFICATION**



## FEATURES

### CONTENTS

Blower Data .....	Pages 13-15
Dimensions .....	Pages 9-12
Exhaust Pipe Venting Information .....	Page 7
Features and Options .....	Pages 2-4
Filter Air Resistance .....	Page 8
High Altitude Information .....	Page 8
Installation Clearances .....	Page 8
Model Number Identification .....	Page 1
Optional Accessories Selection table .....	Page 6
Specifications .....	Page 5

### WARRANTY

Duralok Plus® Aluminized Steel Heat Exchanger - **Twenty years** limited warranty.

**All other covered components - Five years** limited warranty. Refer to Lennox Equipment Limited Warranty certificate included with equipment for details.

### APPROVALS

Units certified by CSA International and ratings are certified by GAMA.

Units tested and rated according to US DOE test procedures and FTC labeling regulations.

Blower data from unit tests conducted in Lennox Laboratory air test chamber.

Approved by the California Energy Commission and meets California Seasonal Efficiency requirements and California Nitrogen Oxides (NOx) Standards.

ENERGY STAR® certified units are designed to use less energy, help save money on utility bills, and help protect the environment.

ISO 9001 Registered Manufacturing Quality System.

### APPLICATIONS

Input capacities of 44,000, 66,000, 88,000, 110,000, and 132,000 Btuh (12.9, 19.3, 25.8, 32.2, and 38.7 kW).

Energy efficiency (AFUE) up to 92.1%.

Compact cabinet with either side or bottom return air entry.

Lennox add-on indoor coils, high-efficiency air cleaners and humidifiers can easily be added to furnace.

Shipped factory assembled with all controls installed and wired. Each unit factory test operated to ensure proper operation.

### DIRECT VENT / NON-DIRECT VENT

Furnace can be installed in either Direct Vent or Non-Direct applications. In Direct Vent applications, combustion air is supplied from outdoors and flue gases are discharged outdoors.

In Non-Direct Vent applications, combustion air is supplied from indoors and flue gases are discharged outdoors.

### OPTIONS

#### Termination Kits

Facilitates installation of combustion air intake pipe and flue exhaust pipe.

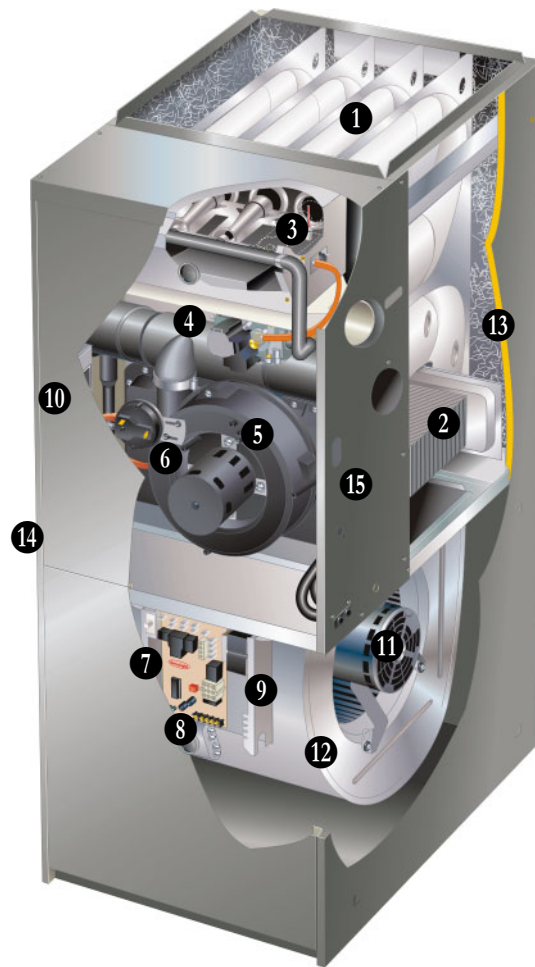
Refer to venting table in this bulletin to determine pipe size needed and proper termination kit required.

See Specifications table and dimension drawings.

#### Termination Kit - Concentric - Direct Vent Applications Only

1-1/2, 2, or 3 inch (38, 51, or 76 mm) kit contains concentric termination assembly, reducer bushing and 45 degree elbow. Kit requires single hole penetration of roof or wall for installation. Roof Termination Flashing Kit is available for use with 1-1/2 and 2 inch Kits.

CSA certified.



#### Termination Kits - Wall Assembly

##### Close Couple - Direct Vent Applications Only

2 or 3 inch (51 or 76 mm) kit consists of close-couple, side-by-side PVC piping with galvanized steel wall cover plate for sealing and isolating piping penetration of the wall.

Piping spacing and length is sized for proper wall installations. CSA certified.

##### Close Couple WTK - Direct Vent Applications Only

2 or 3 inch (51 or 76 mm) kit contains one insulated faceplate, one insulated exhaust pipe, elbow and fittings.

##### Wall Ring - Direct or Non-Direct Vent

2 inch (51 mm) kit contains 2 stainless steel outside seal caps, 2 galvanized steel inside seal caps, 4 seal rings for the caps and 18 inch (457 mm) insulation sleeve for sealing and isolating intake and exhaust piping penetration of wall.

Maintain a maximum of 6 inches (152 mm) between the inlet and outlet openings in the installation of the pipes.

##### Roof Termination Flashing Kit - Direct or Non-Direct Vent

2 or 3 inch (51 or 76 mm) kit contains two neoprene rubber roof flashings for vertical venting through a roof.

Vent pipe and insulation not furnished. Each kit contains enough parts for two non-direct vent installations.

Also available for use with 1-1/2 inch (use 2 inch flashing) and 2 inch (use 3 inch flashing) Concentric Vent Termination Kits used in vertical venting rooftop applications.

## FEATURES

### 1 HEATING SYSTEM

#### Lennox Duralok Plus® Heat Exchanger Assembly

Lennox developed heat exchanger assembly consists of primary heat exchanger and secondary condenser coil assembly. Main 3-pass clamshell type heat exchanger constructed of heavy-gauge, aluminized steel.

Designed for normal expansion and contraction.

Crimped seam design and construction provides maximum efficiency and minimum resistance to airflow.

- 2 Secondary heat exchanger condenser coil constructed of aluminum fins fitted to stainless steel tubes.

Coil is factory tested for leaks.

Condensate drain header box assembly located on front of coil.

Compact size of complete heat exchanger assembly permits low overall design of furnace cabinet.

All components mounted in a heavy-gauge steel frame.

Heat exchanger assembly has been laboratory life cycle tested.

#### Lennox Designed Header Box

Header box on end of condenser coil collects flue condensate for disposal through condensate collars.

Hose connects the header box drains to the condensate collars.

The condensate collars are located on each side of the cabinet for easy field installation of condensate drain trap. Only one collar is used, the other is plugged.

Condensate drain trap is included with the unit for field installation.

#### Lennox Designed Flue Condensate Trap Assembly

Condensate trap assembly is mounted outside the conditioned air stream.

Assembly can be mounted on either side of cabinet. See Installation Instructions.

Connection can be made with field provided 1/2 in. PVC pipe, 3/4 in. PVC coupling, or 1-1/4 in. OD x 1 in. ID vinyl tubing with hose clamp.

Easy to clean and winterize.

- 3 Inshot Burners

Aluminized steel inshot burners provide efficient, trouble-free operation.

Burner venturi mixes air and gas in correct proportion for proper combustion.

Burner assembly is removable from the unit as a single component for ease of service.

#### Hot Surface Mini-Nitride Ignitor

Unique, non-porous, high strength proprietary ceramic material provides long life and trouble-free maintenance.

Low mass element provides fast heat-up and consistent igniter temperature with low power usage.

Cemented to alumina block for positive mounting and protection against current leakage.

High temperature Teflon® insulated ignition lead wires for dependable operation.

- 4 Gas Control Valve

24 volt redundant combination gas control valve combines manual shut off valve (On-Off), automatic electric valve (dual) and gas pressure regulation into a compact combination control.

- 5 Combustion Air Inducer

Shaded pole heavy-duty blower prepurges heat exchanger and safely vents flue products.

- 6 Pressure switch proves blower operation before allowing gas valve to open.

Operates only during heating cycle.

#### Limit Control

Automatic reset, primary limit is accurately located.

Factory installed on vestibule panel on all units.

#### Flame Rollout Switch

Manual reset switches are factory installed on burner box.

Switch provides protection from abnormal operating conditions.

## OPTIONS

### High Altitude Orifice Kit - Natural Gas Only

Required for all natural gas models for proper unit operation at altitudes of 7501 to 10,000 feet (2286 to 3048 m).

Proper orifice for LPG/Propane models is included with LPG/Propane Conversion Kit.

### High Altitude Pressure Switch Kit

Required on certain units for proper unit operation on installations above 4,500 ft. (1372 m).

### LPG/Propane Conversion Kit

Required for field changeover from natural gas to LPG/Propane.

## CONTROLS

- 7 Integrated Furnace Control Board

Solid-state board contains all necessary controls and relays to operate furnace.

Combustion air inducer is controlled by board. Prior to ignition, a pre-purge cycle for 15 seconds is initiated. After the main burners are turned off, a post-purge cycle for 5 seconds is run. Ignition control board continuously monitors line voltage and maintains the igniter power at a constant level to provide consistent lighting and maximum igniter life.

Electronic flame sensor control assures safe and reliable operation. Should loss of flame occur, flame sensor controls will initiate 4 attempts at re-ignition before locking out unit operation for 60 minutes.

Watchguard type circuit automatically resets ignition controls after one hour of continuous thermostat demand after unit lockout, eliminating nuisance calls for service.

Fan control consists of adjustable blower timed-off delay (60, 90, 120, 180 seconds - factory setting 90 seconds) and fixed blower timed-on delay (45 seconds).

For air-conditioning applications, blower is automatically energized on thermostat demand for cooling.

- 8 Two accessory terminals furnished for additional power supply requirements for 120 volt (less than 1 amp) power humidifiers and powered air cleaners.

Ignition control has two LED's to indicate status and as an aid in troubleshooting.

- 9 24 Volt Transformer

Furnished and factory installed in control box.

40VA transformer has fuse wired in series.

- 10 Field Wiring Make-up Box

Furnished for line voltage wiring.

Factory installed internally on left side of furnace.

Box may be installed internally or externally on either side of furnace.

## OPTIONS

### Thermostat

See Thermostat bulletins in Controls section and Lennox Price Book for a complete list of thermostats.

### Twinning Kit

Required to operate two furnaces simultaneously.

Kit consists of twinning control and two fan sensors.

## BLOWER

- 11 Multi-speed, direct drive blower.

Statically and dynamically balanced.

Resiliently mounted.

- 12 Blower assembly slides out of unit for servicing.

Blower speeds are easily changed on the integrated furnace control board. See blower performance tables.

## FEATURES

### **FILTER (NOT FURNISHED)**

Filter and provisions for external mounting must be field provided.

### **OPTIONS**

#### **Air Filter and Rack Kit for Side Return Air Applications (Not for use with RAB Return Air Base)**

Washable or vacuum cleanable polyurethane frame type filter and external side return air rack available for field installation. Available in single and ten pack kits.

Rack has filter door for easy filter servicing.

Flanges on rack allow easy duct connection.

Field installs on either side of unit cabinet.

See dimension drawing.

#### **EZ Filter Base for Bottom Return Air Applications**

Hinged door with thumbscrew for easy filter access.

Uses standard size filters (field provided).

### **CABINET**

Low-profile, narrow width cabinet allows easy installation.

Heavy-gauge, cold rolled steel construction.

Pre-painted cabinet finish.

Flanges provided on supply air opening for ease of plenum connection or alignment with indoor coil.

13 Cabinet is insulated with foil faced insulation on sides and back of heating compartment.

14 Complete service access.

Safety interlock switch automatically shuts off power to unit when blower compartment access door is removed.

15 Gas piping and electrical inlets are provided in both sides of cabinet.

#### **Return Air Entry:**

For bottom return-air entry, remove furnished bottom seal panel from cabinet.

For side return-air entry, corners are marked on either side of cabinet for return air cut-outs. On furnaces with side return air and condensate trap on the same side of the cabinet, a field fabricated transition or RAB is required to use an IAQ product higher than 14-3/16 in. (360 mm) when installed next to the unit and serviced from the front. IAQ products higher than 20 in. (508 mm) require a field fabricated transition. See dimension drawings.

#### **NOTE - 60C and 60D size units that require air volumes over 1800 cfm (850 L/s) must have one of the following:**

1. Single side return air with transition, to accommodate 20 x 25 x 1 in. (508 x 635 x 25 mm) cleanable air filter, required to maintain proper air velocity.
2. Single side return air with optional RAB Return Air Base.
3. Bottom return air.
4. Return air from both sides.
5. Bottom and one side return air.

See Blower Performance Tables for additional information.

#### **Coil Match-up**

All furnaces exactly match C33 and CX34 cased up-flow indoor coils with same letter designation in model number. No adaptor required. Engaging holes furnished on cabinet for alignment.

C33 uncased coils match furnaces without any overhang but require an optional adaptor base or field fabricated transition to match furnace opening. See C33 coil bulletin for additional information.

### **OPTIONS**

#### **Condensate Drain Heat Cable Kits**

Self-limiting wattage heat cable prevents condensate drain from freezing in unconditioned areas.

Available in 6, 24 or 50 ft. (1.8, 7.3, or 15.2 m) lengths.

Heat Cable Tape:

66 ft. (20 m) length, 1/2 in. (13 mm) wide fiberglass.

60 ft. (18 m) length, 2 in. (51 mm) wide aluminum foil.

#### **Condensate Trap Alternate Location Kit**

Allows condensate drain to be installed on the opposite side of the furnace from the exhaust venting (up-flow applications only).

#### **RAB Return Air Base**

On furnaces with side return air and condensate trap on the same side of the cabinet, a field fabricated transition or RAB is required when installing an IAQ product higher than 14-3/16 in. (360 mm) when installed next to the unit and serviced from the front. IAQ products higher than 20 in. (508 mm) require a field fabricated transition.

Must be used for 60C and 60D models with air volumes over 1800 cfm (850 L/s) in up-flow applications when only one side return is required.

Cabinet is pre-painted steel to match the furnace.

See Dimension Drawing.

## SPECIFICATIONS

Gas Heating Performance	Model No.	G43UF	G43UF	G43UF	G43UF	G43UF
		-24B-045	-24B-070	-36B-070	-36C-090	-36C-090H Canada Only
	Input - Btuh (kW)	44,000 (12.9)	66,000 (19.3)	66,000 (19.3)	88,000 (25.8)	88,000 (25.8)
	Output - Btuh (kW)	40,300 (11.8)	61,000 (17.9)	62,000 (18.2)	82,000 (24.0)	81,000 (23.7)
	Temperature rise range - °F (°C)	30 - 60 (18 - 36)	50 - 80 (28 - 44)	40 - 70 (22 - 39)	40 - 70 (22 - 39)	50 - 80 (28 - 44)
	<sup>1</sup> AFUE	92.1%	90.0%	92.1%	92.1%	90.0%
	High static (CSA) - in. w.g. (Pa)	.50 (124)	.50 (124)	.50 (124)	.50 (124)	.50 (124)
Connections in.	Intake / Exhaust Pipe (PVC)	2 / 2	2 / 2	2 / 2	2 / 2	2 / 2
	Condensate Drain Trap (PVC pipe) - i.d.	1/2	1/2	1/2	1/2	1/2
	with field supplied (PVC coupling) - o.d.	3/4	3/4	3/4	3/4	3/4
	hose with hose clamp - i.d. x o.d.	1-1/4 x 1	1-1/4 x 1	1-1/4 x 1	1-1/4 x 1	1-1/4 x 1
	Gas pipe size IPS	1/2	1/2	1/2	1/2	1/2
Indoor Blower	Wheel nominal diameter x width - in. (mm)	10 x 7 (254 x 178)	10 x 7 (254 x 178)	10 x 8 (254 x 203)	10 x 8 (254 x 203)	10 x 8 (254 x 203)
	Motor output - hp (W)	1/5 (149)	1/5 (149)	1/3 (249)	1/3 (249)	1/3 (249)
	Tons (kW) of add-on cooling	1.5 - 2 (5.3 - 7.0)	1.5 - 2 (5.3 - 7.0)	2 - 3 (8.8 - 10.5)	2 - 3 (7.0 - 10.5)	2 - 3 (7.0 - 10.5)
	Air Volume Range - cfm (L/s)	465 - 1125 (220 - 530)	425 - 1020 (200 - 480)	710 - 1640 (335 - 775)	730 - 1630 (345 - 770)	730 - 1630 (345 - 770)
Shipping Data - lbs. (kg) - 1 package		132 (60)	141 (64)	146 (66)	162 (74)	162 (74)
Electrical characteristics		120 volts - 60 hertz - 1 phase (less than 12 amps)				

## SPECIFICATIONS

Gas Heating Performance	Model No.	G43UF	G43UF	G43UF	G43UF	G43UF
		-48C-090	-48C-110	-48C-110H Canada Only	-60C-110	-60D-135
	Input - Btuh (kW)	88,000 (25.8)	110,000 (32.2)	110,000 (32.2)	110,000 (32.2)	132,000 (38.7)
	Output - Btuh (kW)	82,000 (24.0)	103,000 (30.2)	101,000 (29.6)	103,000 (30.2)	123,000 (36.0)
	Temperature rise range - °F (°C)	40 - 70 (22 - 39)	45 - 75 (27 - 45)	50 - 80 (28 - 44)	40 - 70 (22 - 39)	45 - 75 (27 - 45)
	<sup>1</sup> AFUE	92.1%	92.1%	90.0%	92.1%	92.1%
	High static (CSA) - in. w.g. (Pa)	.50 (124)	.50 (124)	.50 (124)	.50 (124)	.50 (124)
Connections in.	Intake / Exhaust Pipe (PVC)	2 / 2	2 / 2	2 / 2	2 / 2	3 / 3
	Condensate Drain Trap (PVC pipe) - i.d.	1/2	1/2	1/2	1/2	1/2
	with field supplied (PVC coupling) - o.d.	3/4	3/4	3/4	3/4	3/4
	hose with hose clamp - i.d. x o.d.	1-1/4 x 1	1-1/4 x 1	1-1/4 x 1	1-1/4 x 1	1-1/4 x 1
	Gas pipe size IPS	1/2	1/2	1/2	1/2	1/2
Indoor Blower	Wheel nominal diameter x width - in. (mm)	10 x 10 (254 x 254)	10 x 10 (254 x 254)	10 x 10 (254 x 254)	11-1/2 x 10 (292 x 229)	11-1/2 x 10 (292 x 229)
	Motor output - hp (W)	1/2 (373)	1/2 (373)	1/2 (373)	1 (746)	1 (746)
	Tons (kW) of add-on cooling	3 - 4 (10.5 - 14.0)	3 - 4 (10.5 - 14.0)	3 - 4 (10.5 - 14.0)	4 - 5 (14.0 - 17.5)	4 - 5 (14.0 - 17.5)
	Air Volume Range - cfm (L/s)	950 - 2180 (450 - 1030)	885 - 2160 (420 - 1020)	885 - 2160 (420 - 1020)	1470 - 2720 (695 - 1285)	1440 - 2730 (680 - 1290)
Shipping Data - lbs. (kg) - 1 package		168 (76)	178 (81)	178 (81)	186 (84)	203 (92)
Electrical characteristics		120 volts - 60 hertz - 1 phase (less than 12 amps)				

NOTE - Filters and provisions for mounting are not furnished and must be field provided.

<sup>1</sup> Annual Fuel Utilization Efficiency based on DOE test procedures and according to FTC labeling regulations. Isolated combustion system rating for non-weatherized furnaces

## OPTIONAL ACCESSORIES - MUST BE ORDERED EXTRA

			"B" Width Models	"C" Width Models	"D" Width Models
<b>FILTER KITS</b>					
<sup>1</sup> Air Filter and Rack Kit	Horizontal (end)	Size of filter - in. (mm)	<b>87L96</b> - 18 x 25 x 1 (457 x 635 x 25)	<b>87L97</b> - 20 x 25 x 1 (508 x 635 x 25)	<b>87L98</b> - 25 x 25 x 1 (635 x 635 x 25)
	Side Return	Single	<b>44J22</b>	<b>44J22</b>	<b>44J22</b>
		Ten Pack	<b>66K63</b>	<b>66K63</b>	<b>66K63</b>
		Size of filter - in. (mm)	16 x 25 x 1 (406 x 635 x 25)	16 x 25 x 1 (406 x 635 x 25)	16 x 25 x 1 (406 x 635 x 25)
<b>EZ Filter Base</b>	Catalog No. - Ship. Wt. - lbs. (kg)		<b>73P56</b> - 7 (3)	<b>73P57</b> - 8 (4)	<b>73P58</b> - 10 (5)
	Size of field provided filter - in. (mm)		16 x 25 x 1 (406 x 635 x 25)	20 x 25 x 1 (508 x 635 x 25)	24 x 24 x 1 (610 x 610 x 25)

## CABINET ACCESSORIES

<b>Down-Flow Additive Base</b>	<b>11M60</b>	<b>11M61</b>	<b>11M62</b>
<b>Horizontal Support Frame Kit</b>	<b>56J18</b>	<b>56J18</b>	<b>56J18</b>
<b>Return Air Base</b>	<b>76M88</b>	<b>74M74</b>	<b>74M75</b>

## CONDENSATE DRAIN KITS

<b>Condensate Drain Heat Cable</b>	6 ft. (1.8 m)	<b>26K68</b>	<b>26K68</b>	<b>26K68</b>
	24 ft. (7.3 m)	<b>26K69</b>	<b>26K69</b>	<b>26K69</b>
	50 ft. (15.2 m)	<b>26K70</b>	<b>26K70</b>	<b>26K70</b>
<b>Heat Cable Tape</b>	Fiberglass - 1/2 in. x 66 ft.	<b>39G04</b>	<b>39G04</b>	<b>39G04</b>
	Aluminum foil - 2 in. x 60 ft.	<b>39G03</b>	<b>39G03</b>	<b>39G03</b>
<b>Condensate Trap Alternate Location Kit - Up-Flow Only</b>		<b>76M20</b>	<b>76M20</b>	<b>76M20</b>

## CONTROLS

<b>Twinning Kit</b>	<b>15L38</b>	<b>15L38</b>	<b>15L38</b>
---------------------	--------------	--------------	--------------

## TERMINATION KITS - See Installation Instructions for specific venting information.

<sup>4</sup> Termination Kits Direct Vent Applications Only	<b>Concentric</b>	1-1/2 in. (38 mm)	<b>71M80</b>	---	---
		2 in. (51 mm)	---	<b>69M29</b>	---
		3 in. (76 mm)	---	<b>60L46</b>	<b>60L46</b>
	<b>Wall - Close Couple</b>	2 in. (51 mm)	<b>22G44</b>	---	---
		3 in. (76 mm)	<b>44J40</b>	<b>44J40</b>	<b>44J40</b>
		Close Couple WTK - 2 in. (51 mm)	<b>30G28</b>	---	---
		3 in. (76 mm)	<b>81J20</b>	<b>81J20</b>	<b>81J20</b>
<sup>2, 4</sup> Termination Kits - Direct or Non-Direct Vent	<b>Roof</b>	2 in. (51 mm)	<b>15F75</b>	<b>15F75</b>	---
	<b>Wall - Wall Ring Kit</b>	2 in (51 mm)	<b>15F74</b>	<b>15F74</b>	<sup>3</sup> <b>15F74</b>
<sup>4</sup> <b>Roof Termination Flashing Kit - Direct or Non-Direct Vent - Contains two flashings.</b>			<b>44J41</b>	<b>44J41</b>	<b>44J41</b>

<sup>1</sup> Cleanable polyurethane frame type filter.

<sup>2</sup> Kits contain enough parts for two, non-direct vent installations.

<sup>3</sup> Non-direct vent only.

## GAS HEAT ACCESSORIES

Input	<sup>1</sup> High Altitude Orifice Kit Natural Gas Only	High Altitude Pressure Switch Kit		LPG/Propane Kit	
		4501-7500 ft. (1372-2286 m)	7501-10,000 ft. (2286-3048 m)	0-7500 ft. (0-2286 m)	7501-10,000 ft. (2286-3048 m)
<b>-045</b>	<b>59M16</b>	---	<b>95M22</b>	<b>83M74</b>	<b>83M75</b>
<b>-070</b>	<b>59M16</b>	<b>56M05</b>	<b>56M06</b>	<b>83M74</b>	<b>83M75</b>
<b>-090</b>	<b>59M16</b>	<b>75M20</b>	<b>56M07</b>	<b>83M74</b>	<b>83M75</b>
<b>-110</b>	<b>59M16</b>	<b>75M20</b>	<b>56M07</b>	<b>83M74</b>	<b>83M75</b>
<b>-135</b>	<b>59M16</b>	<b>56M04</b>	<b>60M35</b>	<b>83M74</b>	<b>83M75</b>

<sup>1</sup> Required for proper operation at altitudes from 7501 to 10,000 ft. (2286 to 3048 m).

## EXHAUST PIPE VENTING TABLE

Altitude	Vent Size (diameter)	<sup>1</sup> Maximum Equivalent Vent Length - One or Two Pipe Applications									
		G43UF-24B-045		G43UF-24B-070 G43UF-36B-070		G43UF-36C-090 G43UF-48C-090		<sup>2</sup> G43UF-48C-110 <sup>2</sup> G43UF-60C-110		<sup>3</sup> G43UF-60D-135	
		ft.	m	ft.	m	ft.	m	ft.	m	ft.	m
0 - 2000 ft. (0 - 609 m)	2 in.	110	34	70	21	50	15	30	9	n/a	n/a
	2-1/2 in.	135	41	135	41	100	31	70	21	n/a	n/a
	3 in.	160	49	160	49	125	38	125	38	<sup>4</sup> 125	<sup>4</sup> 38
	4 in.	250	76	250	76	225	69	200	61	180	55
2001 - 4500 ft. (610 - 1371 m)	2 in.	110	34	70	21	50	15	20	6	n/a	n/a
	2-1/2 in.	135	41	135	41	100	31	70	21	n/a	n/a
	3 in.	160	49	160	49	125	38	125	38	<sup>4</sup> 90	<sup>4</sup> 27
	4 in.	250	76	250	76	225	69	200	61	180	55
4501 - 7500 ft. (1372 - 2286 m)	2 in.	110	34	70	21	30	9	n/a	n/a	n/a	n/a
	2-1/2 in.	135	41	135	41	100	31	70	21	n/a	n/a
	3 in.	160	49	160	49	125	38	125	38	<sup>4</sup> 90	<sup>4</sup> 27
	4 in.	250	76	250	76	225	69	200	61	180	55
7501 - 10,000 ft. (2287 - 3048 m)	2 in.	110	34	70	21	n/a	n/a	n/a	n/a	n/a	n/a
	2-1/2 in.	135	41	135	41	100	31	70	21	n/a	n/a
	3 in.	160	49	160	49	125	38	125	38	<sup>4</sup> 90	<sup>4</sup> 27
	4 in.	250	76	250	76	225	69	200	61	180	55

NOTE - Minimum Equivalent Vent Pipe length is 15 feet (4.6 m).

<sup>1</sup> "Maximum Equivalent Vent Length" permitted is defined as "Total Length (linear feet) of vent pipe, plus equivalent length (ft.) of fittings, plus equivalent length (ft.) of termination".

<sup>2</sup> 110 models must have the supplied 90° street ell installed directly into the unit flue collar. The street ell must be included in the elbow count.

<sup>3</sup> 135 models must have 3 in. to 2 in. reducing elbow (supplied) installed directly into the flue collar. Reducing ell must be included in elbow count.

<sup>4</sup> 90° elbows must be limited to 3 in. sweep type elbows.

VENTING NOTES — One 90° elbow is equivalent to 5 feet (1.5 m) of straight vent pipe.

Two 45° elbows are equal to one 90° elbow.

One 45° elbow is equivalent to 2.5 feet (.75 m) of straight vent pipe.

Wall and roof termination (non-concentric) exhaust pipe must terminate with reducer to improve exhaust velocity away from intake piping.

045 and 070 - 2, 2-1/2, 3 or 4 in. - terminate with 1-1/2 in. pipe

090 - 2, 2-1/2, 3 or 4 in. - terminate with 2 in. pipe

110 - 2, 2-1/2, 3 or 4 in. - terminate with 2 in. pipe

135 - 3 or 4 in. - terminate with 2 in. pipe

## TERMINATION KITS - EQUIVALENT VENT LENGTHS

Heat Size	Vent Pipe Diameter		Vent Pipe Equivalent Length - ft. (m)							
			Concentric Kits			Close Couple Kits		Wall Ring Kit	Outdoor Exhaust Accelerator (Diameter X Length)	
			1-1/2 in. (38 mm)	2 in. (51 mm)	3 in. (76 mm)	2 in. (51 mm)	3 in. (76 mm)	2 in. (51 mm)	1-1/2 x 12 in. (38 x 305 mm)	2 x 12 in. (51 x 305 mm)
			71M80	69M29	60L46	22G44 30G28 (WTK)	44J40 81J20 (WTK)	15F74	---	---
-045	2	51	12 (3.6)	not allowed	not allowed	4 (1.2)	<sup>1</sup> 4 (1.2)	4 (1.2)	4 (1.2)	not allowed
	2-1/2	64	15 (4.6)	not allowed	not allowed	5 (1.5)	<sup>1</sup> 5 (1.5)	5 (1.5)	5 (1.5)	not allowed
	3	76	21 (6.4)	not allowed	not allowed	7 (2.1)	<sup>1</sup> 7 (2.1)	7 (2.1)	7 (2.1)	not allowed
	4	102	42 (12.8)	not allowed	not allowed	14 (4.3)	<sup>1</sup> 14 (4.3)	14 (4.3)	14 (4.3)	not allowed
-070	2	51	12 (3.6)	not allowed	not allowed	4 (1.2)	<sup>1</sup> 4 (1.2)	4 (1.2)	4 (1.2)	not allowed
	2-1/2	64	15 (4.6)	not allowed	not allowed	5 (1.5)	<sup>1</sup> 5 (1.5)	5 (1.5)	5 (1.5)	not allowed
	3	76	24 (7.3)	not allowed	not allowed	8 (2.4)	<sup>1</sup> 8 (2.4)	8 (2.4)	8 (2.4)	not allowed
	4	102	42 (12.8)	not allowed	not allowed	14 (4.3)	<sup>1</sup> 14 (4.3)	14 (4.3)	14 (4.3)	not allowed
-090	2	51	not allowed	3 (1)	3 (1)	not allowed	1 (0.3)	<sup>2</sup> 1 (0.3)	not allowed	1 (0.3)
	2-1/2	64	not allowed	6 (1.8)	6 (1.8)	not allowed	2 (0.6)	<sup>2</sup> 2 (0.6)	not allowed	2 (0.6)
	3	76	not allowed	6 (1.8)	6 (1.8)	not allowed	2 (0.6)	<sup>2</sup> 2 (0.6)	not allowed	2 (0.6)
	4	102	not allowed	12 (3.7)	12 (3.7)	not allowed	4 (1.2)	<sup>2</sup> 4 (1.2)	not allowed	4 (1.2)
-110	2	51	not allowed	3 (1)	3 (1)	not allowed	1 (0.3)	<sup>2</sup> 1 (0.3)	not allowed	1 (0.3)
	2-1/2	64	not allowed	6 (1.8)	6 (1.8)	not allowed	2 (0.6)	<sup>3</sup> 2 (0.6)	not allowed	2 (0.6)
	3	76	not allowed	6 (1.8)	6 (1.8)	not allowed	2 (0.6)	<sup>3</sup> 2 (0.6)	not allowed	2 (0.6)
	4	102	not allowed	12 (3.7)	12 (3.7)	not allowed	4 (1.2)	<sup>3</sup> 4 (1.2)	not allowed	4 (1.2)
-135	3	76	not allowed	not allowed	15 (4.6)	not allowed	6 (1.8)	<sup>3</sup> 6 (1.8)	not allowed	6 (1.8)
	4	102	not allowed	not allowed	25 (7.6)	not allowed	10 (3.0)	<sup>3</sup> 10 (3.0)	not allowed	10 (3.0)

<sup>1</sup> Requires field provided 1-1/2 in. (38 mm) outdoor exhaust accelerator.

<sup>2</sup> Requires field provided 2 in. (51 mm) outdoor exhaust accelerator.

<sup>3</sup> For use only in non-direct vent applications, when snow riser is not required. Requires field provided 2 in. (51 mm) outdoor exhaust accelerator.

## FILTER AIR RESISTANCE

### For 1 Inch (25 mm) Cleanable Filter (Field Provided)

cfm	L/s	in. w.g.	Pa
0	0	0.00	0
200	95	0.01	0
400	190	0.03	5
600	285	0.04	10
800	380	0.06	15
1000	470	0.09	20
1200	565	0.12	30
1400	660	0.15	35
1600	755	0.19	45
1800	850	0.23	55
2000	945	0.27	65
2200	1040	0.33	80
2400	1130	0.38	95
2600	1225	0.44	110

## INSTALLATION CLEARANCES

Sides	<sup>1</sup> 0 inches (0 mm)
Rear	0 inches (0 mm)
Top/Plenum	1 inch (25 mm)
Front	0 inches (0 mm)
Front (service/alcove)	24 inches (610 mm)
Floor	<sup>2</sup> Combustible

NOTE - Air for combustion and supply air ventilation must conform to the methods outlined in American National Standard (ANSI-Z223.1) National Fuel Gas Code or National Standard of Canada CAN/CGA-149.1, & CAN/CGA-149.2 "Installation Code for Gas Burning Appliances".

NOTE-In the U.S. flue sizing must conform to the methods outlined in current GAMA/A.G.A. venting tables, American National Standard (ANSI-Z223.1) National Fuel Gas Code or applicable provisions of local building codes. In Canada flue sizing must conform to the methods outlined in National Standard of Canada CAN/CGA-149.1 and .2.

<sup>1</sup> Allow proper clearances to accommodate condensate trap and vent pipe installation.  
<sup>2</sup> Do not install the furnace directly on carpeting, tile, or other combustible materials other than wood flooring.

## HIGH ALTITUDE INFORMATION

Pressure regulator adjustment may be required depending on altitude. See below for proper pressure regulator setting.

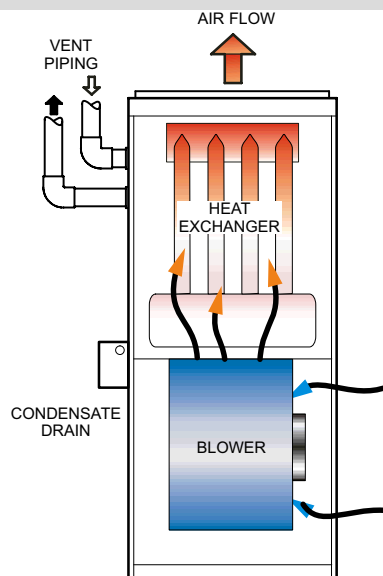
Fuel	Altitude - ft. (m)	Manifold Pressure (Outlet) in. w.g. (kPa)
Natural	0-4500 (0-1372)	3.5 (0.87)
	4501-7500 (1373-2286)	<sup>2</sup> 3.5 (0.87)
	7501-10000 (2287-3048)	<sup>1,2</sup> 3.5 (0.87)
<sup>3</sup> LPG Propane	0-4500 (0-1372)	10.0 (2.49)
	4501-7500 (1373-2286)	<sup>2</sup> 10.0 (2.49)
	7501-10,000 (0-3048)	<sup>2</sup> 10.0 (2.49)

<sup>1</sup> High Altitude Orifice Kit required, see Gas Heat Accessories table for order number.

<sup>2</sup> High Altitude Pressure Switch Kits as required, see Gas Heat Accessories table for order number.

<sup>3</sup> LPG/Propane conversion kit required, see Gas Heat Accessories table for order number.

## INSTALLATION CONFIGURATIONS



NOTE - The vent piping and condensate drain can be moved to the other side of the unit. Vent piping and drain must be installed on the same side of the unit with each other unless optional Condensate Trap Alternate Location Kit is used.



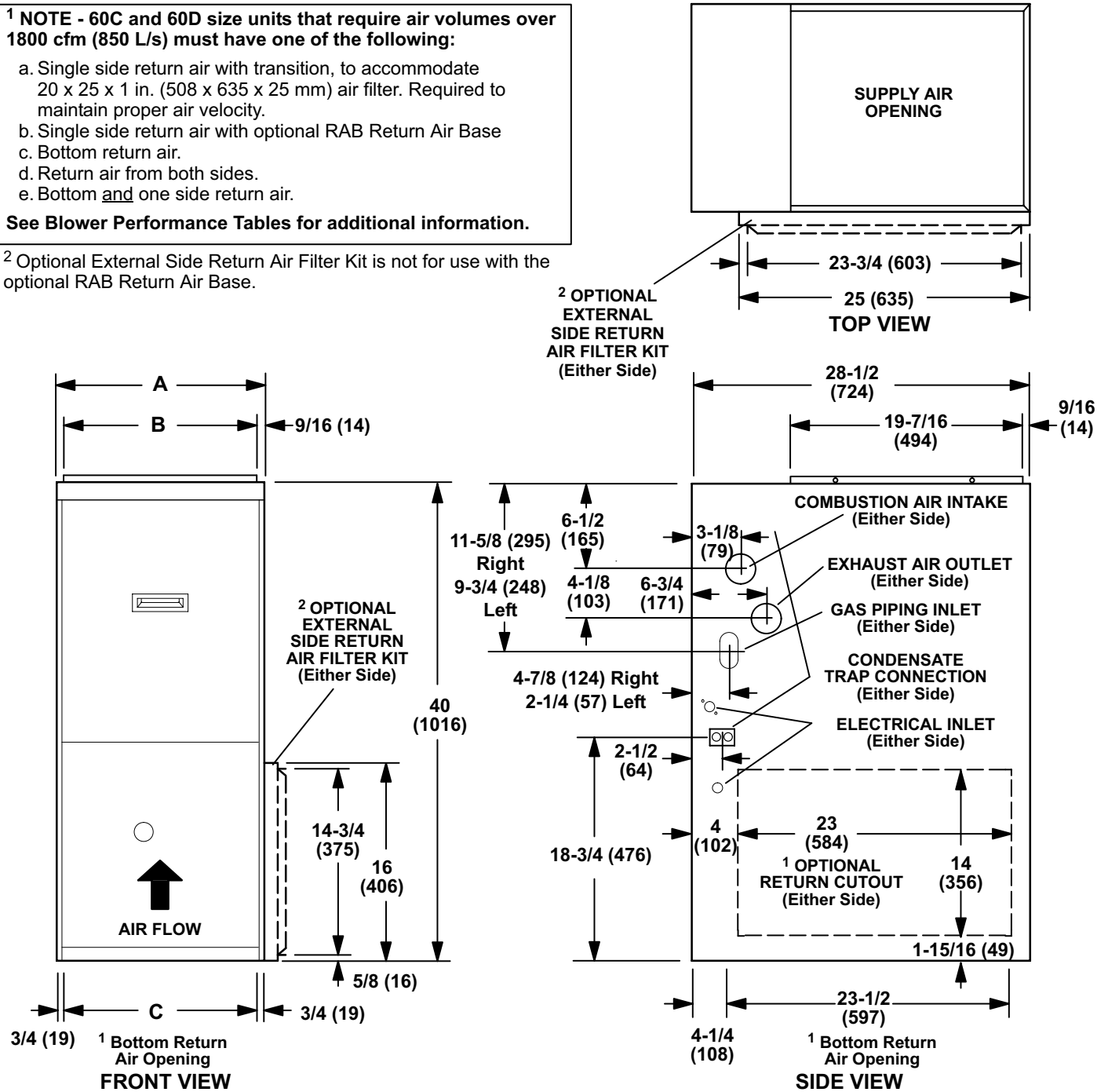
## DIMENSIONS - INCHES (MM)

<sup>1</sup> NOTE - 60C and 60D size units that require air volumes over 1800 cfm (850 L/s) must have one of the following:

- a. Single side return air with transition, to accommodate 20 x 25 x 1 in. (508 x 635 x 25 mm) air filter. Required to maintain proper air velocity.
- b. Single side return air with optional RAB Return Air Base
- c. Bottom return air.
- d. Return air from both sides.
- e. Bottom and one side return air.

See Blower Performance Tables for additional information.

<sup>2</sup> Optional External Side Return Air Filter Kit is not for use with the optional RAB Return Air Base.

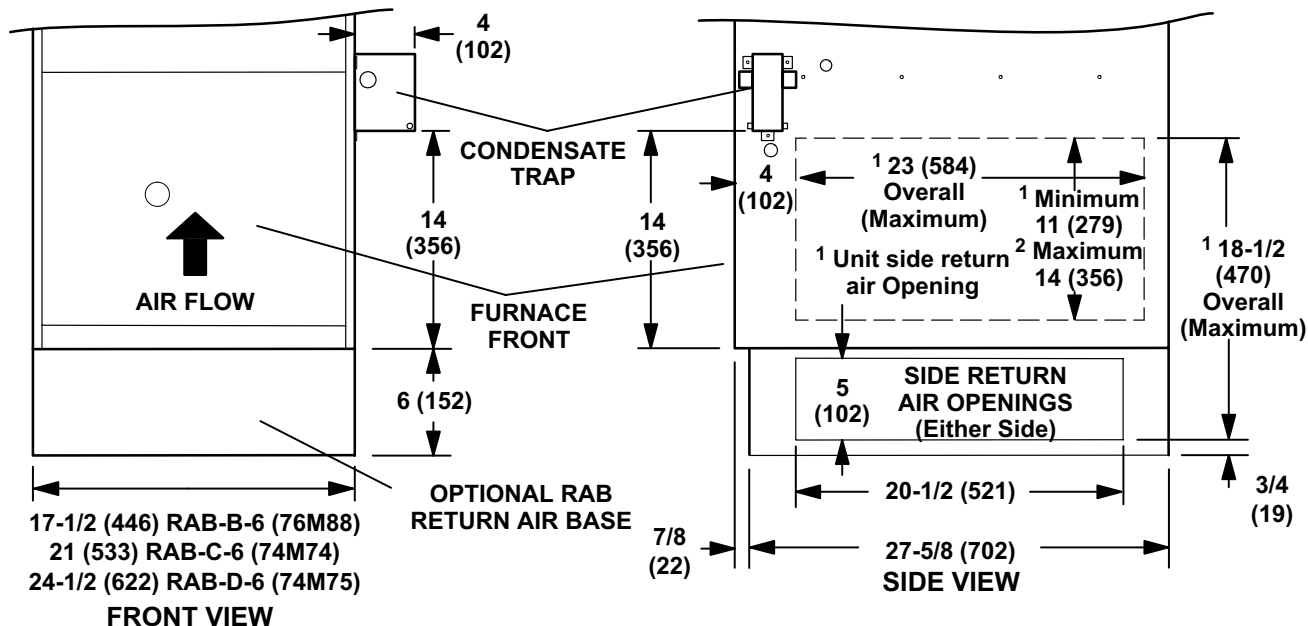


Model No.	A		B		C	
	in.	mm	in.	mm	in.	mm
G43UF-24B-045 G43UF-24B-070 G43UF-36B-070	17-1/2	446	16-3/8	416	16	406
G43UF-36C-090 G43UF-48C-090 G43UF-48C-110 G43UF-60C-110	21	533	19-7/8	454	19-1/2	495
G43UF-60D-135	24-1/2	622	23-3/8	546	23	584

## OPTIONAL ACCESSORY DIMENSIONS - INCHES (MM)

### RAB RETURN AIR BASE (Up-Flow Applications Only)

For use with B, C, and D size furnaces only



<sup>1</sup> Both the unit return air opening and the base return air opening must be covered by a single plenum or IAQ cabinet.

Minimum unit side return air opening dimensions for units requiring 1800 cfm or more of air (W x H): 23 x 11 in. (584 x 279 mm). The opening can be cut as needed to accommodate plenum or IAQ cabinet while maintaining dimensions shown.

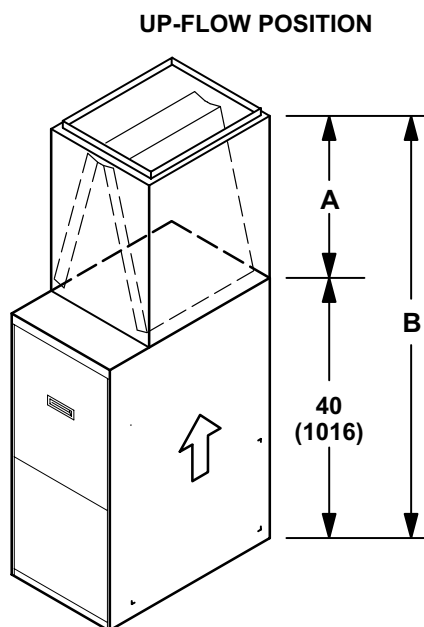
Side return air openings must be cut in the field. There are cutting guides stenciled on the cabinet for the side return air opening. The size of the opening must not extend beyond the markings on the furnace cabinet.

<sup>2</sup> 14 inches (356 mm) is the maximum size the height of the unit opening can be cut. This may interfere with the condensate drain (if located on the same side of the unit as the opening).

To minimize pressure drop, the largest opening height possible (up to 14 inches) is preferred.

NOTE- Optional Side Return Air Filter Kits are not for use with RAB Return Air Base.

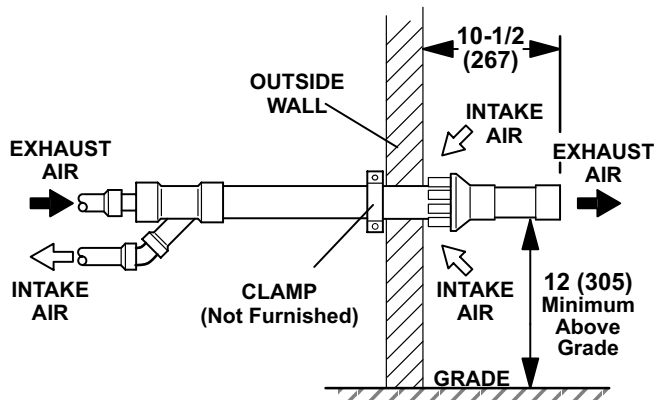
## DIMENSIONS - INCHES (MM) - FURNACE/COIL COMBINED DIMENSIONS



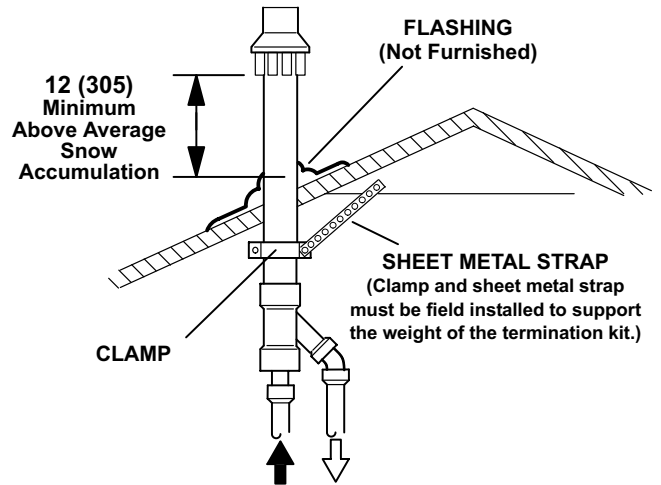
Model No	Cased				Uncased (CX34 - cased only)			
	A		B		A		B	
	in.	mm	in.	mm	in.	mm	in.	mm
CX34-18/24B-6F C33-24B	16-1/2	419	56-1/2	1435	13-7/8	352	53-7/8	1368
CX34-18/24C-6F C33-24C								
CX34-25B-6F C33-25B	19-1/2	495	59-1/2	1511	15-7/8	403	55-7/8	1419
CX34-30B-6F C33-30B	20-1/2	521	60-1/2	1537	17-3/4	451	59-3/4	1467
CX34-30C-6F C33-30C								
CX34-31B-6F C33-31B	23-1/2	597	63-1/2	1613	20-1/4	514	60-1/4	1530
CX34-36B-6F C33-36B	24-1/2	622	64-1/2	1638	21-7/8	556	61-7/8	1572
CX34-36C-6F C33-36C	24-1/2	622	64-1/2	1638	21-1/4	540	61-1/4	1556
CX34-38B-6F C33-38B	24-1/2	622	64-1/2	1638	22	559	62	1575
CX34-42B-6F C33-42B	24-1/2	622	64-1/2	1638	21-7/8	556	61-7/8	1572
CX34-43B-6F C33-43B	28-1/2	724	68-1/2	1740	26-1/4	667	66-1/4	1683
CX34-43C-6F C33-43C	28-1/2	724	68-1/2	1740	25-3/4	654	65-3/4	1670
CX34-44/48B-6F C33-48B	24-1/2	622	64-1/2	1638	22-1/8	562	62-1/8	1578
CX34-44/48C-6F C33-48C	24-1/2	622	64-1/2	1638	21-1/2	546	61-1/2	1562
CX34-49C-6F C33-49C	30-1/2	775	70-1/2	1791	28-1/2	724	68-1/2	1740
CX34-50/60C-6F C33-50/60C	27-1/2	699	67-1/2	1715	24-3/4	629	64-3/4	1645
CX34-60D-6F C33-60D	25-1/2	648	65-1/2	1664	24-3/4	629	64-3/4	1645
CX34-62C-6F C33-62C	32-1/2	826	72-1/2	1842	30-5/8	778	70-5/8	1793
CX34-62D-6F C33-62D	29-1/2	749	69-1/2	1765	28-3/4	730	68-3/4	1746

**OPTIONAL ACCESSORY DIMENSIONS - INCHES (MM)**

**CONCENTRIC WALL TERMINATION APPLICATIONS**

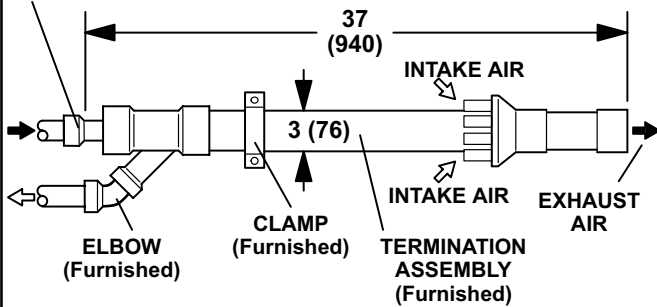


**CONCENTRIC ROOF TERMINATION APPLICATIONS**

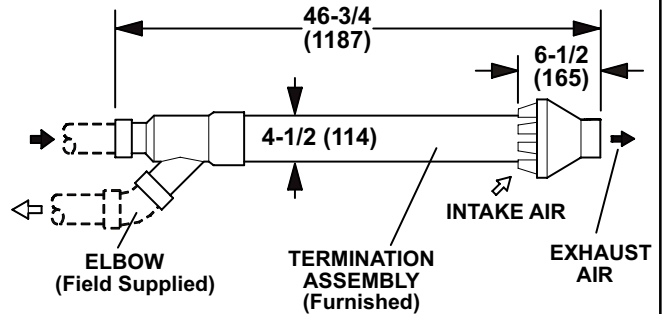


**71M80 — 1-1/2 inch (38 mm)  
69M29 — 2 inch (51 mm)**  
See Installation Instructions for specific usage.

2 x 1-1/2 in. (51 x 38 mm) 60G77  
3 x 2 in. (76 x 51 mm) 33K97  
REDUCER BUSHING (Furnished)



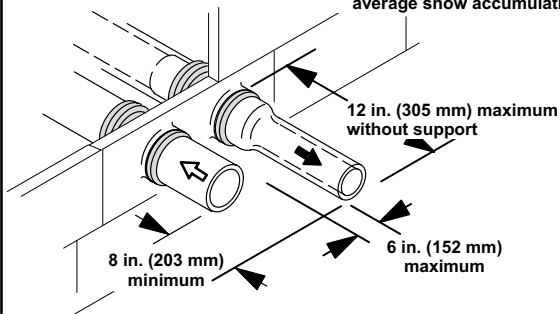
**60L46 — 3 inch (76 mm)**  
See Installation Instructions for specific usage.



**WALL ASSEMBLY TERMINATION KIT - RING KIT  
15F74 - 2 inch (51 mm)**  
See Installation Instructions for specific usage.

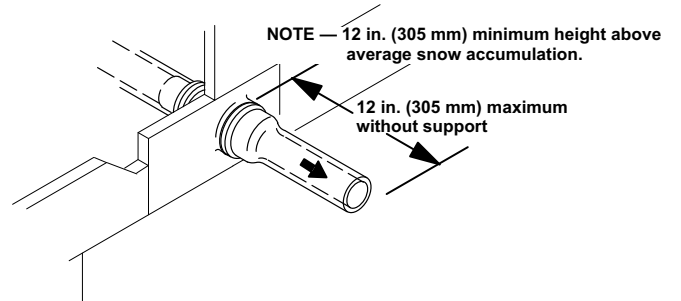
**DIRECT VENT APPLICATION**

NOTE - 12 in. (305 mm) minimum height above average snow accumulation.



**NON-DIRECT VENT APPLICATION**

NOTE — EXHAUST PIPE SHOWN  
Kit Contains Enough Parts For Two Installations



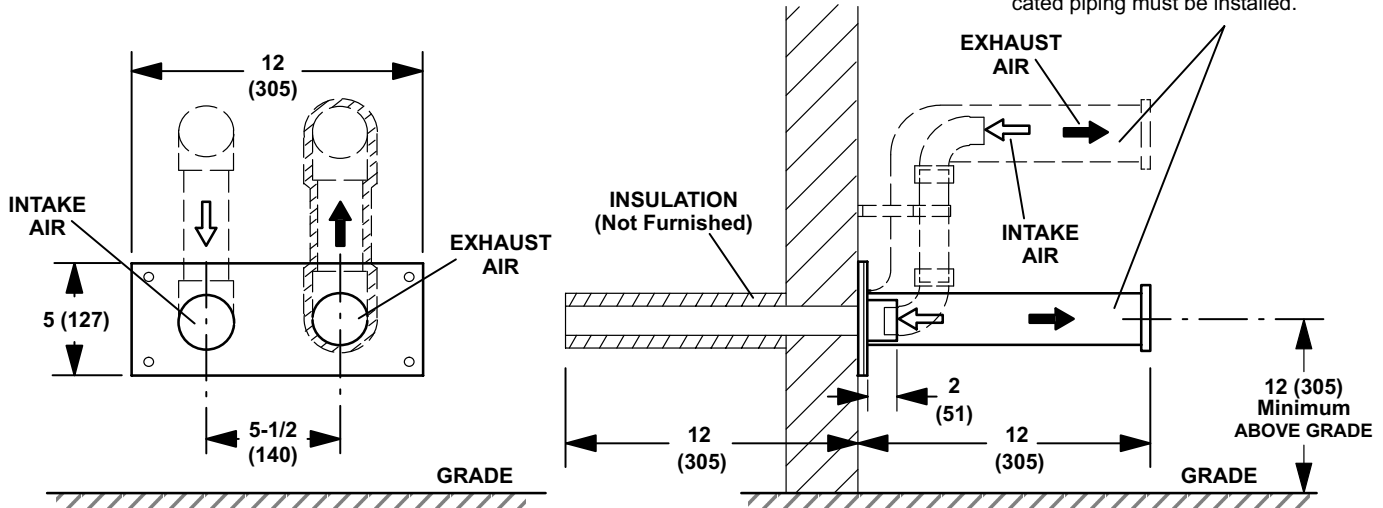
**OPTIONAL ACCESSORY DIMENSIONS - INCHES (MM)**

**DIRECT VENT APPLICATIONS**

**WALL TERMINATION KITS (CLOSE-COUPLE) - 22G44 - 2 inch (51 mm) or 44J40 - 3 inch (76 mm)**

See Installation Instructions for specific usage.

If Intake and Exhaust Pipe is less than 12 in. (305 mm) above snow accumulation or other obstructions, field fabricated piping must be installed.

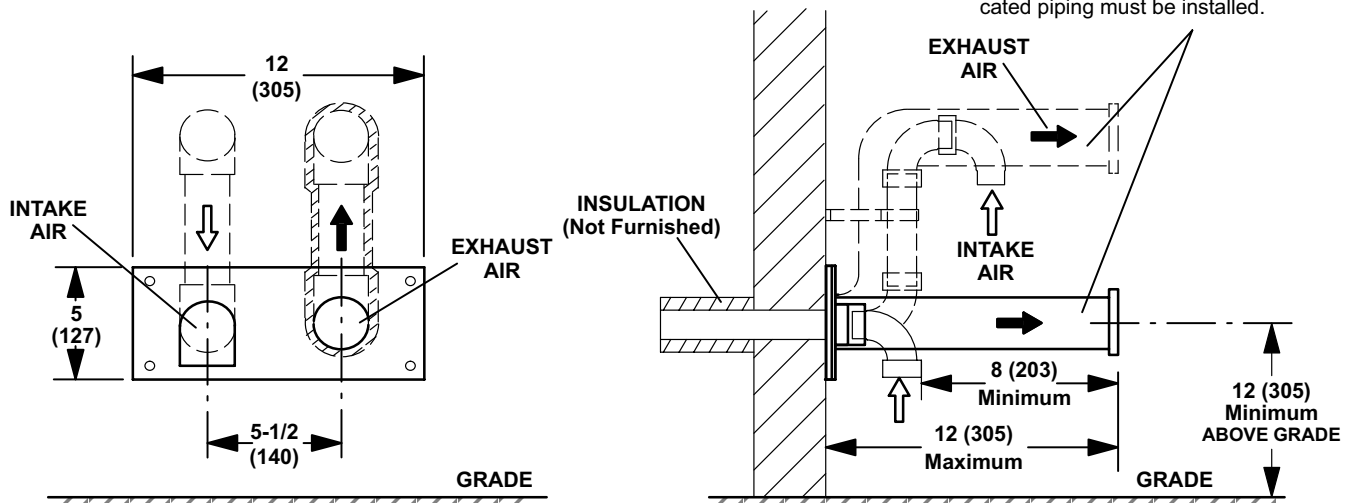


**WTK WALL ASSEMBLY TERMINATION KIT WITH FIELD FABRICATED ABOVE GRADE EXTENDED CLEARANCE**

**30G28 - 2 inch (51 mm) or 81J20 - 3 inch (76 mm)**

See Installation Instructions for specific usage.

If Intake and Exhaust Pipe is less than 12 in. (305 mm) above snow accumulation or other obstructions, field fabricated piping must be installed.



## BLOWER/WATTS DATA

### G43UF-24B-045 PERFORMANCE (Less Filter)

External Static Pressure		Air Volume / Watts at Different Blower Speeds											
		High			Medium-High			Medium-Low			Low		
in. w.g.	Pa	cfm	L/s	Watts	cfm	L/s	Watts	cfm	L/s	Watts	cfm	L/s	Watts
0.00	0	1125	530	425	900	425	360	745	350	295	690	325	265
0.10	25	1115	525	410	905	425	350	760	360	285	695	330	260
0.20	50	1090	515	395	895	420	335	755	355	280	685	325	255
0.30	75	1060	500	380	880	415	325	740	350	270	675	320	250
0.40	100	1020	480	365	860	405	315	720	340	260	665	315	240
0.50	125	970	460	345	835	395	300	700	330	255	640	300	230
0.60	150	920	435	335	795	375	290	665	315	240	600	285	220
0.70	175	860	405	315	730	345	270	620	295	230	565	265	215
0.80	200	760	360	295	665	315	250	560	265	215	510	240	200
0.90	225	675	320	275	585	275	230	495	235	200	465	190	175

### G43UF-24B-070 PERFORMANCE (Less Filter)

External Static Pressure		Air Volume / Watts at Different Blower Speeds											
		High			Medium-High			Medium-Low			Low		
in. w.g.	Pa	cfm	L/s	Watts	cfm	L/s	Watts	cfm	L/s	Watts	cfm	L/s	Watts
0.00	0	1115	525	435	875	415	360	720	340	290	665	315	255
0.10	25	1115	525	425	865	410	350	725	340	285	670	315	255
0.20	50	1100	520	415	870	410	335	730	345	280	665	315	250
0.30	75	1080	510	400	870	410	330	725	340	270	655	310	240
0.40	100	1050	495	385	855	405	320	715	335	265	645	305	240
0.50	125	1010	475	365	835	395	310	695	330	255	625	295	230
0.60	150	980	460	355	810	380	295	675	320	250	600	285	225
0.70	175	930	440	340	770	365	285	640	300	235	565	265	215
0.80	200	855	405	320	720	340	270	585	275	220	520	245	200
0.90	225	770	365	295	650	305	250	525	245	205	465	220	190

### G43UF-36B-070 PERFORMANCE (Less Filter)

External Static Pressure		Air Volume / Watts at Different Blower Speeds											
		High			Medium-High			Medium-Low			Low		
in. w.g.	Pa	cfm	L/s	Watts	cfm	L/s	Watts	cfm	L/s	Watts	cfm	L/s	Watts
0.00	0	1640	775	660	1415	665	575	1160	545	485	1005	475	410
0.10	25	1600	755	635	1395	660	550	1160	545	460	1000	470	385
0.20	50	1540	725	605	1370	650	525	1160	545	445	995	470	375
0.30	75	1495	705	580	1345	635	505	1145	540	425	990	465	365
0.40	100	1420	670	545	1275	605	480	1125	530	395	965	455	345
0.50	125	1360	640	525	1245	590	450	1080	510	375	945	445	325
0.60	150	1275	600	490	1165	550	410	1025	485	350	900	425	305
0.70	175	1170	555	465	1085	515	385	965	430	335	860	405	295
0.80	200	1080	510	440	1010	475	360	865	410	310	775	365	270
0.90	225	945	445	400	840	395	320	765	360	275	710	335	245

### G43UF-36C-090(H) PERFORMANCE (Less Filter)

External Static Pressure		Air Volume / Watts at Different Blower Speeds											
		High			Medium-High			Medium-Low			Low		
in. w.g.	Pa	cfm	L/s	Watts	cfm	L/s	Watts	cfm	L/s	Watts	cfm	L/s	Watts
0.00	0	1630	770	745	1360	640	635	1125	530	540	975	460	440
0.10	25	1620	765	715	1365	645	610	1160	545	515	1000	470	430
0.20	50	1590	750	680	1365	645	580	1160	545	495	990	465	405
0.30	75	1550	730	655	1355	640	565	1170	550	475	985	465	395
0.40	100	1520	715	630	1330	630	545	1160	545	460	980	460	380
0.50	125	1465	690	605	1300	615	515	1140	540	440	960	455	360
0.60	150	1415	670	570	1250	590	490	1095	515	420	940	445	350
0.70	175	1350	635	545	1215	575	470	1065	500	400	905	425	335
0.80	200	1260	595	510	1140	540	440	1005	475	375	850	400	310
0.90	225	1165	550	475	1035	485	395	900	425	335	730	345	285

NOTES - All air data is measured external to unit without filter (not furnished - field provided).  
Air volume based on bottom air return air. Actual air volume may vary on side return air applications.

## BLOWER/WATTS DATA

### G43UF-48C-090 PERFORMANCE (Less Filter)

External Static Pressure		Air Volume / Watts at Different Blower Speeds											
		High			Medium-High			Medium-Low			Low		
in. w.g.	Pa	cfm	L/s	Watts	cfm	L/s	Watts	cfm	L/s	Watts	cfm	L/s	Watts
0.00	0	2180	1030	930	1835	865	790	1520	715	630	1280	605	510
0.10	25	2135	1005	885	1825	860	750	1510	710	610	1275	600	495
0.20	50	2085	985	840	1810	855	720	1505	710	580	1270	600	475
0.30	75	2030	955	800	1775	835	685	1500	705	565	1265	595	460
0.40	100	1940	915	760	1735	820	650	1480	700	535	1250	590	440
0.50	125	1865	880	725	1660	785	600	1430	675	505	1215	575	425
0.60	150	1740	820	670	1590	750	575	1380	650	475	1175	555	410
0.70	175	1645	775	640	1475	695	520	1290	610	450	1105	520	375
0.80	200	1540	725	600	1340	630	465	1175	555	405	1020	480	355
0.90	225	1335	630	540	1170	555	440	1070	505	375	950	450	330

### G43UF-48C-110(H) PERFORMANCE (Less Filter)

External Static Pressure		Air Volume / Watts at Different Blower Speeds											
		High			Medium-High			Medium-Low			Low		
in. w.g.	Pa	cfm	L/s	Watts	cfm	L/s	Watts	cfm	L/s	Watts	cfm	L/s	Watts
0.00	0	2160	1020	880	1880	890	755	1490	705	602	1235	580	485
0.10	25	2100	990	850	1855	875	730	1480	700	585	1230	580	475
0.20	50	2035	960	805	1815	860	690	1475	695	560	1225	580	460
0.30	75	1965	925	750	1755	830	650	1475	695	545	1220	575	445
0.40	100	1885	890	725	1715	810	625	1465	690	510	1215	575	430
0.50	125	1780	840	680	1630	770	580	1420	670	490	1150	540	400
0.60	150	1690	800	660	1550	735	550	1360	640	460	1110	525	380
0.70	175	1575	745	620	1410	665	505	1210	570	405	1035	490	350
0.80	200	1375	650	550	1230	580	450	1125	530	380	970	460	325
0.90	225	1225	580	520	1120	530	415	1050	495	365	885	420	310

NOTES - All air data is measured external to unit without filter (not furnished - field provided).

Air volume based on bottom air return air. Actual air volume may vary on side return air applications.

### G43UF-60C-110 PERFORMANCE (Less Filter) - Single Side Return Air - Air volumes in bold require field fabricated transition to accommodate 20 x 25 x 1 in. (508 x 635 x 25 mm) air filter in order to maintain proper air velocity.

External Static Pressure		Air Volume / Watts at Different Blower Speeds											
		High			Medium-High			Medium-Low			Low		
in. w.g.	Pa	cfm	L/s	Watts	cfm	L/s	Watts	cfm	L/s	Watts	cfm	L/s	Watts
0.00	0	<b>2625</b>	<b>1240</b>	<b>1350</b>	<b>2310</b>	<b>1090</b>	<b>1080</b>	<b>1885</b>	<b>890</b>	<b>885</b>	1515	715	700
0.10	25	<b>2570</b>	<b>1215</b>	<b>1330</b>	<b>2325</b>	<b>1095</b>	<b>1060</b>	<b>1910</b>	<b>900</b>	<b>865</b>	1575	745	700
0.20	50	<b>2410</b>	<b>1135</b>	<b>1305</b>	<b>2285</b>	<b>1080</b>	<b>1035</b>	<b>1930</b>	<b>910</b>	<b>845</b>	1620	765	690
0.30	75	<b>2425</b>	<b>1145</b>	<b>1265</b>	<b>2230</b>	<b>1055</b>	<b>990</b>	<b>1925</b>	<b>905</b>	<b>825</b>	1635	770	675
0.40	100	<b>2335</b>	<b>1100</b>	<b>1220</b>	<b>2175</b>	<b>1025</b>	<b>950</b>	<b>1910</b>	<b>900</b>	<b>810</b>	1640	775	660
0.50	125	<b>2270</b>	<b>1070</b>	<b>1195</b>	<b>2120</b>	<b>1000</b>	<b>935</b>	<b>1895</b>	<b>895</b>	<b>785</b>	1640	775	640
0.60	150	<b>2170</b>	<b>1025</b>	<b>1155</b>	<b>2045</b>	<b>965</b>	<b>885</b>	<b>1860</b>	<b>875</b>	<b>765</b>	1630	770	630
0.70	175	<b>2110</b>	<b>995</b>	<b>1130</b>	<b>1950</b>	<b>920</b>	<b>855</b>	1795	845	730	1590	750	610
0.80	200	<b>2035</b>	<b>960</b>	<b>1090</b>	<b>1885</b>	<b>890</b>	<b>820</b>	1745	825	705	1540	725	580
0.90	225	<b>1900</b>	<b>895</b>	<b>1055</b>	1760	830	780	1665	785	680	1470	695	565

### G43UF-60C-110 PERFORMANCE (Less Filter) - Bottom Return Air, Side Return Air with Optional RAB Return Air Base, Return Air from Both Sides or Return Air from Bottom and One Side.

External Static Pressure		Air Volume / Watts at Different Blower Speeds											
		High			Medium-High			Medium-Low			Low		
in. w.g.	Pa	cfm	L/s	Watts	cfm	L/s	Watts	cfm	L/s	Watts	cfm	L/s	Watts
0.00	0	2720	1285	1385	2410	1135	1090	2055	970	935	1620	765	710
0.10	25	2665	1255	1355	2385	1125	1075	2025	955	885	1730	815	735
0.20	50	2585	1220	1315	2350	1110	1015	2030	955	865	1680	795	690
0.30	75	2505	1180	1275	2290	1080	990	2025	955	840	1695	800	675
0.40	100	2435	1150	1250	2235	1055	940	2030	960	830	1695	800	660
0.50	125	2350	1110	1205	2170	1025	930	1975	930	790	1735	820	665
0.60	150	2255	1065	1185	2100	990	895	1915	905	765	1720	810	650
0.70	175	2160	1020	1150	2005	945	840	1865	880	730	1680	795	635
0.80	200	2020	955	1090	1905	900	825	1810	855	710	1625	765	610
0.90	225	1910	900	1050	1820	860	795	1705	805	675	1540	725	590

NOTES - All air data is measured external to unit without filter (not furnished - field provided).

## BLOWER/WATTS DATA

**G43UF-60D-135 PERFORMANCE (Less Filter) - Single Side Return Air - Air volumes in bold require field fabricated transition to accommodate 20 x 25 x 1 in. (508 x 635 x 25 mm) air filter in order to maintain proper air velocity.**

External Static Pressure		Air Volume / Watts at Different Blower Speeds											
		High			Medium-High			Medium-Low			Low		
in. w.g.	Pa	cfm	L/s	Watts	cfm	L/s	Watts	cfm	L/s	Watts	cfm	L/s	Watts
0.00	0	<b>2665</b>	<b>1260</b>	<b>1440</b>	<b>2325</b>	<b>1095</b>	<b>1100</b>	<b>1865</b>	<b>880</b>	<b>890</b>	1410	665	690
0.10	25	<b>2615</b>	<b>1235</b>	<b>1405</b>	<b>2310</b>	<b>1090</b>	<b>1065</b>	<b>1915</b>	<b>905</b>	<b>865</b>	1465	690	685
0.20	50	<b>2530</b>	<b>1195</b>	<b>1370</b>	<b>2280</b>	<b>1075</b>	<b>1055</b>	<b>1925</b>	<b>910</b>	<b>850</b>	1570	740	675
0.30	75	<b>2470</b>	<b>1165</b>	<b>1330</b>	<b>2235</b>	<b>1055</b>	<b>1015</b>	<b>1920</b>	<b>905</b>	<b>825</b>	1590	750	670
0.40	100	<b>2380</b>	<b>1125</b>	<b>1290</b>	<b>2175</b>	<b>1025</b>	<b>985</b>	<b>1910</b>	<b>900</b>	<b>805</b>	1590	750	655
0.50	125	<b>2310</b>	<b>1090</b>	<b>1265</b>	<b>2120</b>	<b>1000</b>	<b>965</b>	<b>1890</b>	<b>890</b>	<b>790</b>	1595	755	645
0.60	150	<b>2200</b>	<b>1035</b>	<b>1230</b>	<b>2055</b>	<b>970</b>	<b>935</b>	<b>1835</b>	<b>865</b>	<b>765</b>	1580	745	630
0.70	175	<b>2120</b>	<b>1000</b>	<b>1190</b>	<b>1970</b>	<b>930</b>	<b>900</b>	1790	845	740	1545	730	605
0.80	200	<b>2025</b>	<b>955</b>	<b>1160</b>	<b>1890</b>	<b>890</b>	<b>875</b>	1720	810	710	1515	715	590
0.90	225	<b>1930</b>	<b>910</b>	<b>1110</b>	<b>1800</b>	<b>850</b>	<b>835</b>	1655	780	685	1440	680	570

NOTES - All air data is measured external to unit without filter (not furnished - field provided).

**G43UF-60D-135 PERFORMANCE (Less Filter) - Bottom Return Air, Side Return Air with Optional RAB Return Air Base, Return Air from Both Sides or Return Air from Bottom and One Side.**

External Static Pressure		Air Volume / Watts at Different Blower Speeds											
		High			Medium-High			Medium-Low			Low		
in. w.g.	Pa	cfm	L/s	Watts	cfm	L/s	Watts	cfm	L/s	Watts	cfm	L/s	Watts
0.00	0	2730	1290	1465	2425	1145	1125	2055	970	915	1560	735	680
0.10	25	2670	1260	1440	2400	1135	1100	2065	975	890	1590	750	675
0.20	50	2600	1225	1400	2365	1115	1070	2045	965	865	1620	765	665
0.30	75	2525	1190	1360	2315	1095	1045	2035	960	845	1615	760	655
0.40	100	2445	1155	1325	2260	1065	1015	2020	955	820	1615	760	645
0.50	125	2360	1115	1280	2195	1035	985	1960	925	790	1610	760	635
0.60	150	2290	1080	1255	2130	1005	965	1900	895	755	1600	755	615
0.70	175	2205	1040	1220	2035	960	910	1825	860	730	1570	740	600
0.80	200	2110	995	1195	1945	915	880	1765	830	710	1540	725	580
0.90	225	1970	930	1120	1835	865	830	1680	795	690	1540	725	545

NOTES - All air data is measured external to unit without filter (not furnished - field provided).



Visit us at [www.lennox.com](http://www.lennox.com)

For the latest technical information, [www.lennoxdagenet.com](http://www.lennoxdagenet.com)

Contact us at 1-800-4-LENNOX

NOTE - Due to Lennox' ongoing commitment to quality, Specifications, Ratings and Dimensions subject to change without notice and without incurring liability. Improper installation, adjustment, alteration, service or maintenance can cause property damage or personal injury. Installation and service must be performed by a qualified installer and servicing agency.

©2005 Lennox Industries Inc.